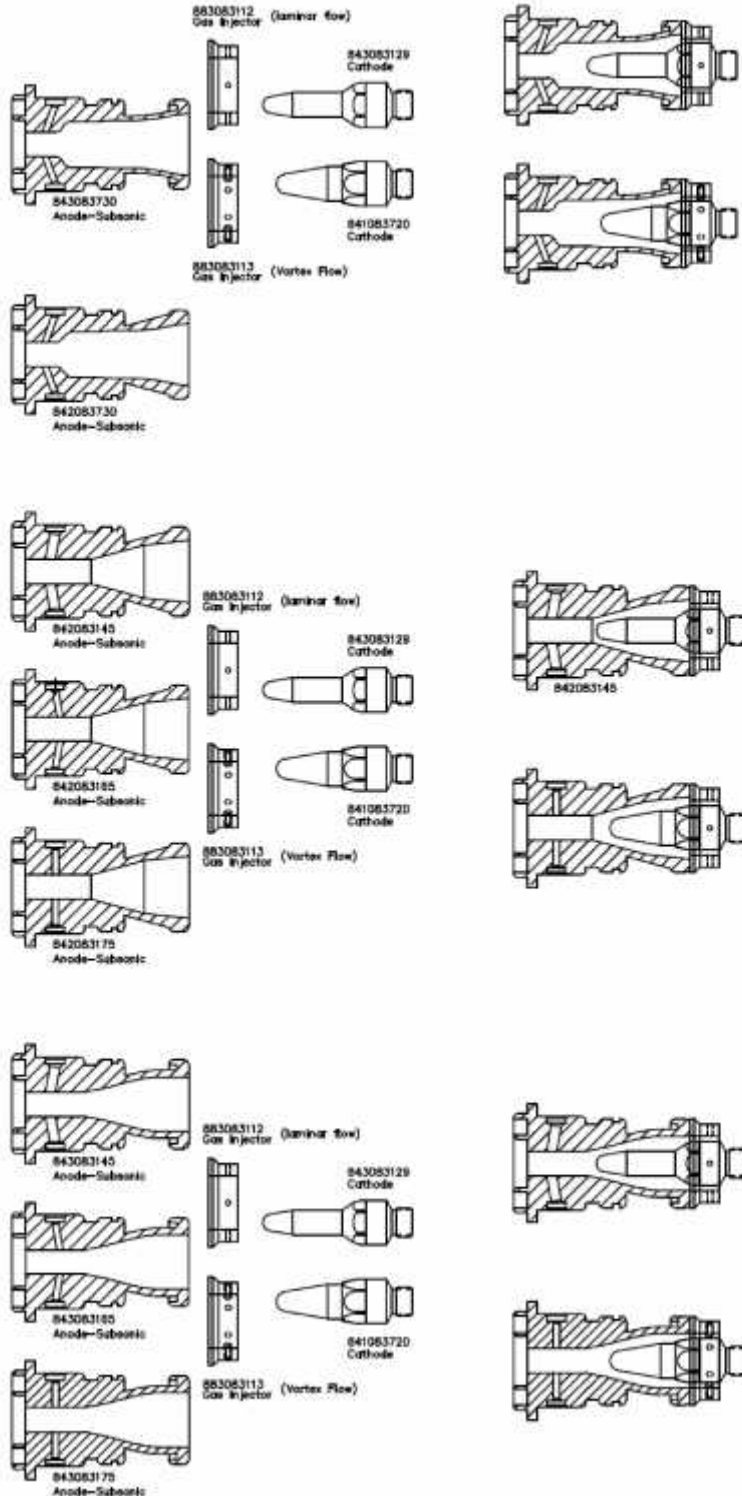
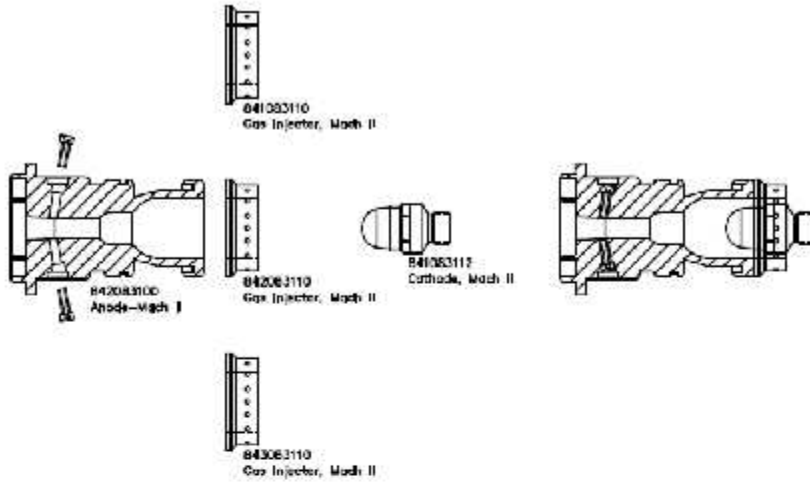


PG-140 Hardware Selection

Subsonic



Mach II



Mach I

