

PPS RodJet – 98

RodJet 98 is a state of the art combustion flame spray system for Ceramic/Cermet and Metal alloy materials available in 1/4" or 3/16" Rod form.

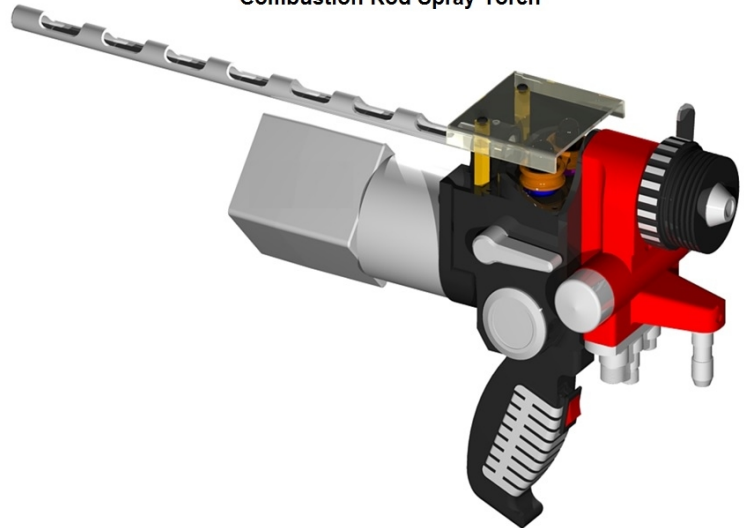
The RodJet-98 offers a perfect combination of low equipment and operating costs, and delivers high quality ceramic coatings at a fraction of the cost of a Plasma system.

The exceptional performance of the RodJet-98 system is achieved by completely melting the rod material in the flame stream before being projected onto the surface. When operated properly, no un-melts are deposited onto the substrate. Fully molten particles maintain high kinetic energy and thermal mass until impact, resulting in dense, smooth coatings and increased bond strength.

- Uses Oxygen & Acetylene gases for combustion
- No cooling water, inert gas or high voltage electricity required (Std. 220 or 110V operation)
- Increased personnel safety
- Rods of diameter 3/16" (4.75mm) or 1/4" (6.35mm) can be fed back to back
- Transparent top cover on the gun body to view rod movement & enhance safety

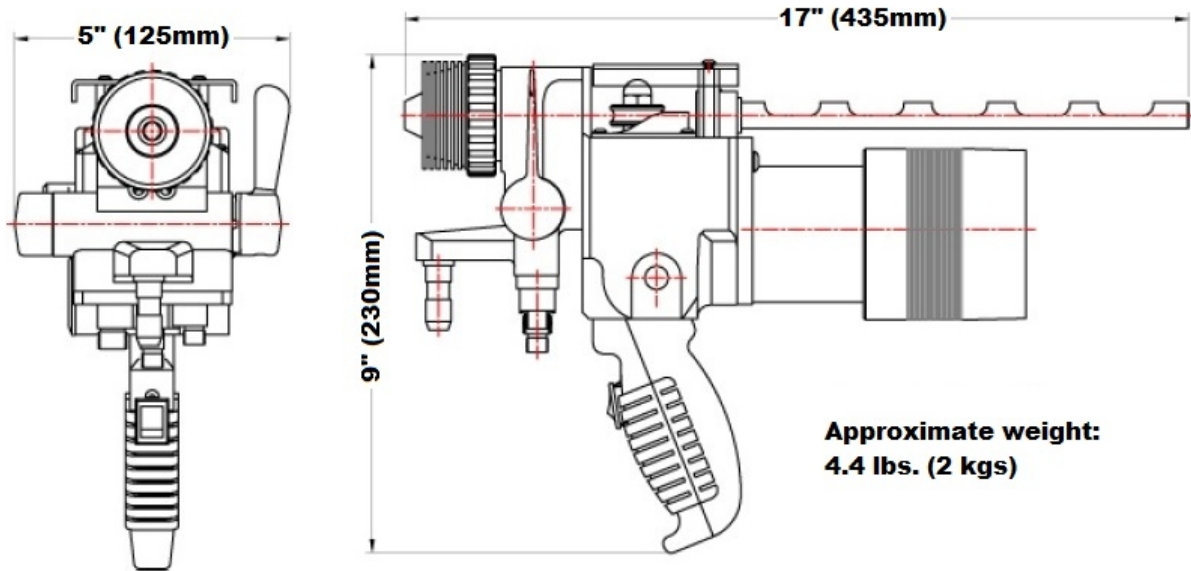
* See it on Youtube: [RodJet-98](#)

PPS RODJET-98
Combustion Rod Spray Torch



PPS RodJet – 98

Technical Data & System Flow:



PPS RodJet-98 Technical Data

