



Plasma Powders & Systems, Inc.
Powder Jet 85 (5PII Type) - Spare Parts List



Powder Jet 85



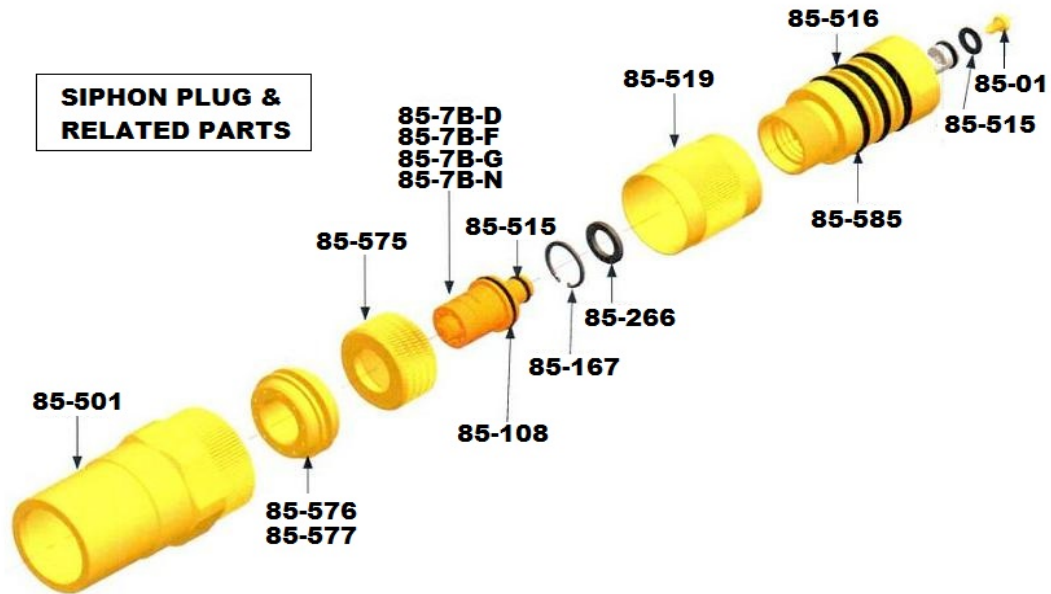
Plasma Powders & Systems, Inc.
Powder Jet 85 (5PII Type) - Spare Parts List

Table of Contents

Section	Description
1	Part List & Diagrams
1.	Siphon Plug
2.	Gun Body
3.	Valve Bolt Housing
4.	Canister Assembly
5.	Handle Assembly
6.	Gas Valve Assembly
7.	Powder Flow Control
8.	High Spray Rate Siphon Plug
9.	2PSA Cooling Jet
10.	Vibrator
11.	Extensions
12.	Tools/Lubricants

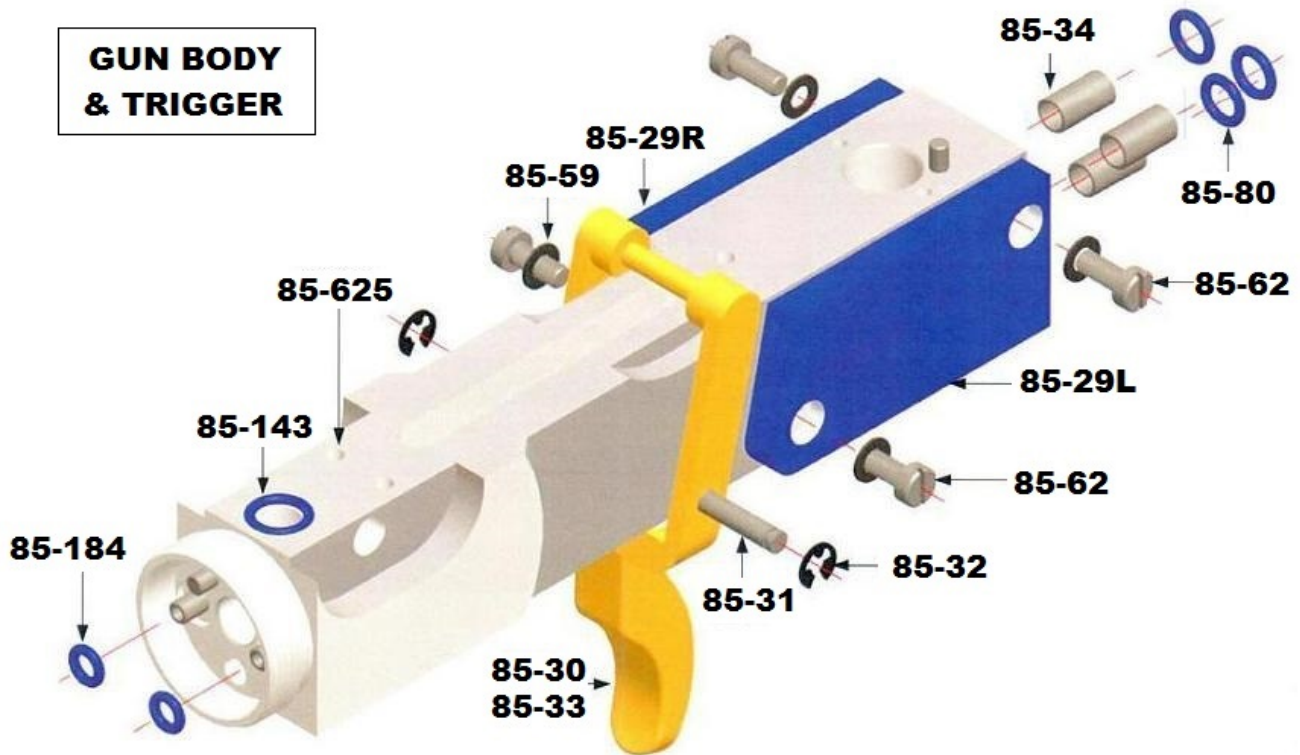
Section 1: Part lists

1.1 Siphon Plug:



85-01	Aspirator Screw PK/1	85-516	O-Ring: Siphon Plug PK/3
85-7B-x	Nozzle (see Diagram above)	85-519	Steeve
85-108	O-Ring: Nozzle PK/2	85-575	Nozzle Nut
85-167	Baffle Retainer PK/5	85-576	Air Cap
85-266	Steel Baffle	85-577	Air Bleeder Cap
85-501	Air Cap Body	85-585	Siphon Plug Assembly
85-515	O-Ring: Aspirator PK/3		

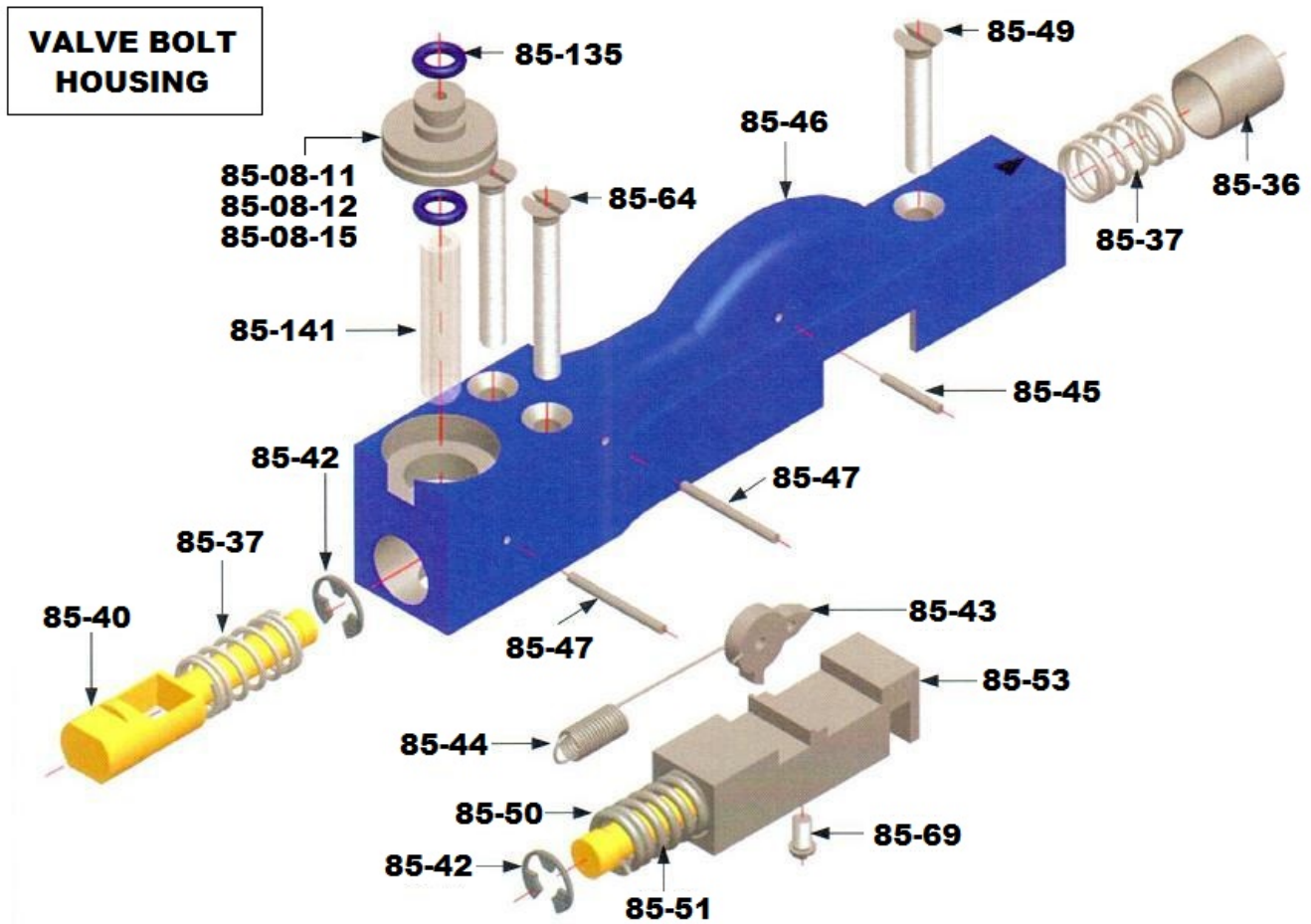
1.2 Gun Body:



**GUN BODY
& TRIGGER**

85-29R	Plate Right	85-59	Lock Washer
85-29L	Plate Left	85-62	Plate Mounting Screw
85-30	Trigger	85-80	O-Ring: Connecting Tube PK/4
85-31	Trigger Pin	85-143	O-Ring: Air Seal PK/1
85-32	Retainer Ring	85-184	O-Ring: Gas Tube PK/5
85-33	Trigger Spring	85-625	Gun Body
85-34	Gas Connecting Tube		

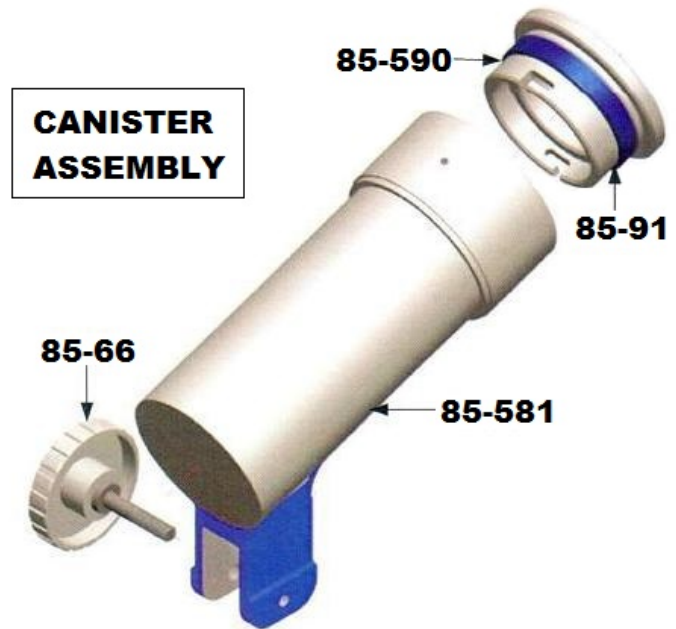
1.3 Valve Bolt Housing:



85-8-11	Metering Valve (Coarse)	85-46	Bolt Housing
85-8-12	Metering Valve (Standard)	85-47	Bolt Housing Pin
85-8-15	Metering Valve (Fine)	85-49	Bolt Housing Mounting Screw (back)
85-36	Detent Pin	85-50	Override Bar
85-37	Detent Spring	85-51	Override Spring
85-40	Valve Bolt	85-53	Ratchet
85-42	Retaining Ring PK/5	85-64	Bolt Housing Mounting screw (front)
85-43	Pawl	85-69	Retaining Screw
85-44	Pawl Spring	85-135	O-Ring: Metering Valve PK/2
85-45	Pawl Pin	85-141	Valve Tube

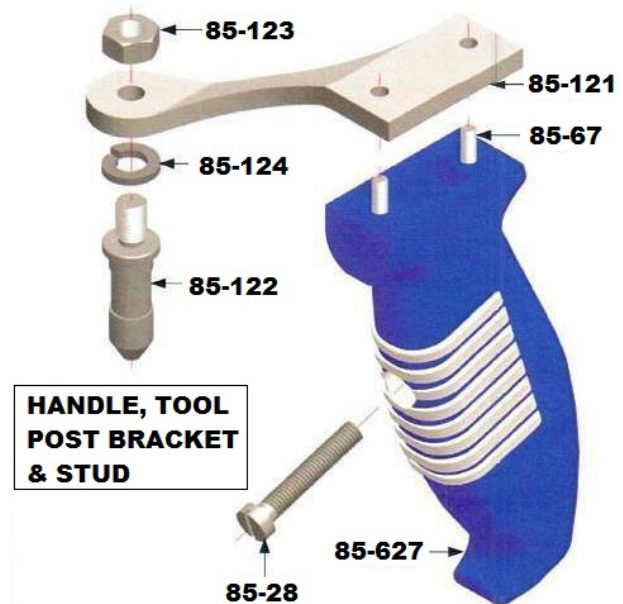
1.4 Canister Assembly

85-66	Canister Clamp Handle
85-91	U-Cup
85-581	Canister
85-590	Canister Cover

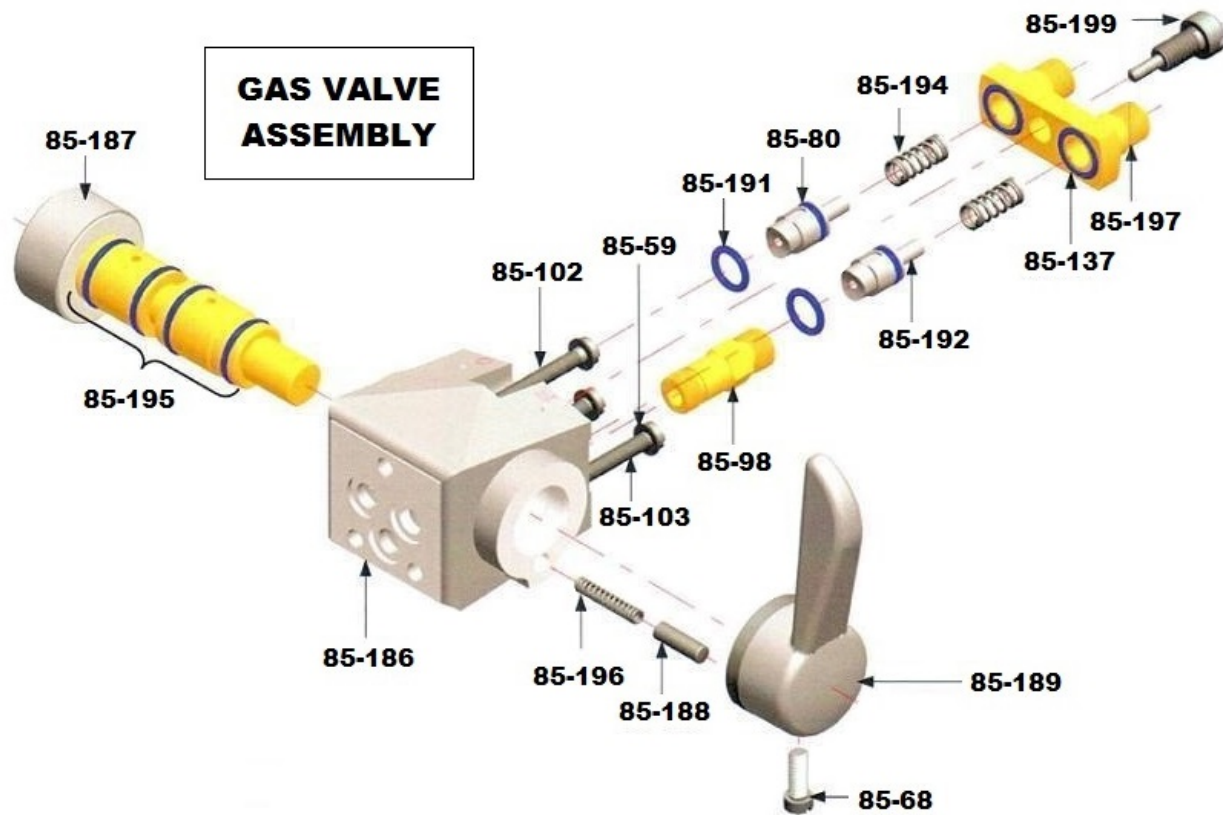


1.5 Handle Assembly

85-28	Handle Screw
85-67	Handle Mounting Screw
85-121	Tool Post Bracket
85-122	Mounting Stud
85-123	Nut
85-124	Lock Washer
85-627	Handle



1.6 Gas Valve Assembly



85-05	Gas Valve Assembly	85-187	Valve Core
85-59	Lock Washer	85-188	Detent Pin
85-68	Valve Handle screw	85-189	Valve Handle
85-80	O-Ring: Plunger PK/4	85-191	O-Ring: Plunger Seal PK/2
85-98	Air Hose Connection	85-192	Plunger
85-99	Air Hose Connection Cap	85-194	Plunger Spring PK/2
85-102	Gas Valve Mounting Screw (short)	85-195	O-Ring: Valve Core PK/4
85-103	Gas Valve Mounting Screw (long)	85-196	Detent Spring
85-137	O-Ring: Connection Block PK/3	85-197	Hose Connection Block
85-186	Valve Block	85-199	Hose Connection Block Screw



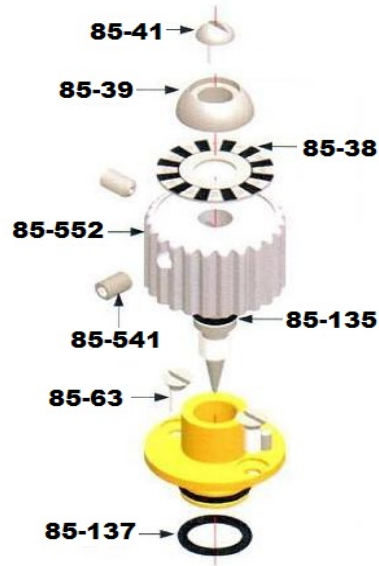
Plasma Powders & Systems, Inc.

Powder Jet 85 (5PII Type) - Spare Parts List

1.7 Powder Flow Control:

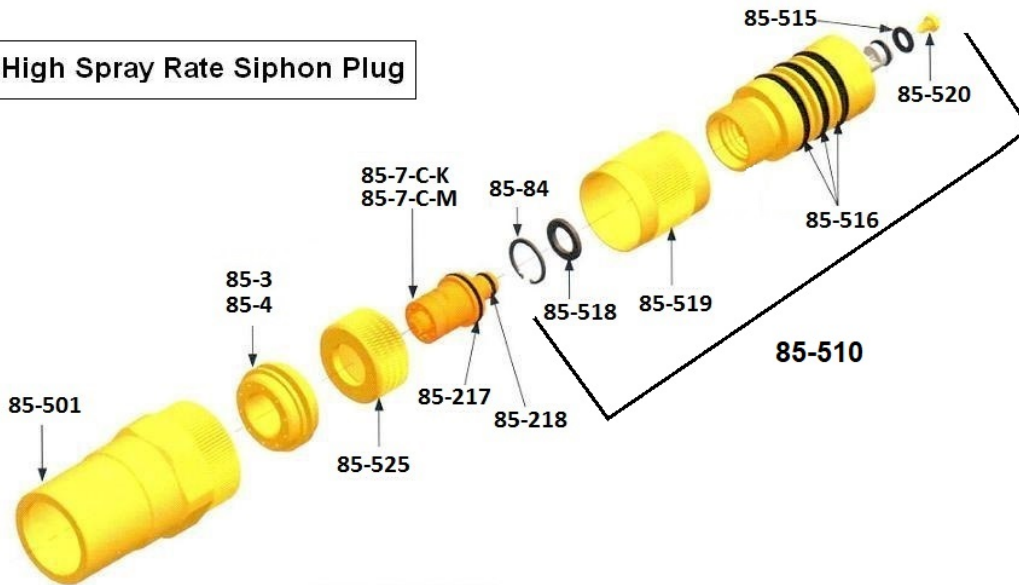
85-38	Dial Plate
85-39	Retainer
85-41	Retainer Screw
85-63	Valve Screw
85-135	O-Ring: Knob Stem PK/2
85-137	O-Ring: Valve Body PK/3
85-541	Knob Set Screw
85-552	Valve Knob
85-526	Flow Control Valve

POWDER FLOW CONTROL VALVE



1.8 High Spray Rate Siphon Plug

High Spray Rate Siphon Plug

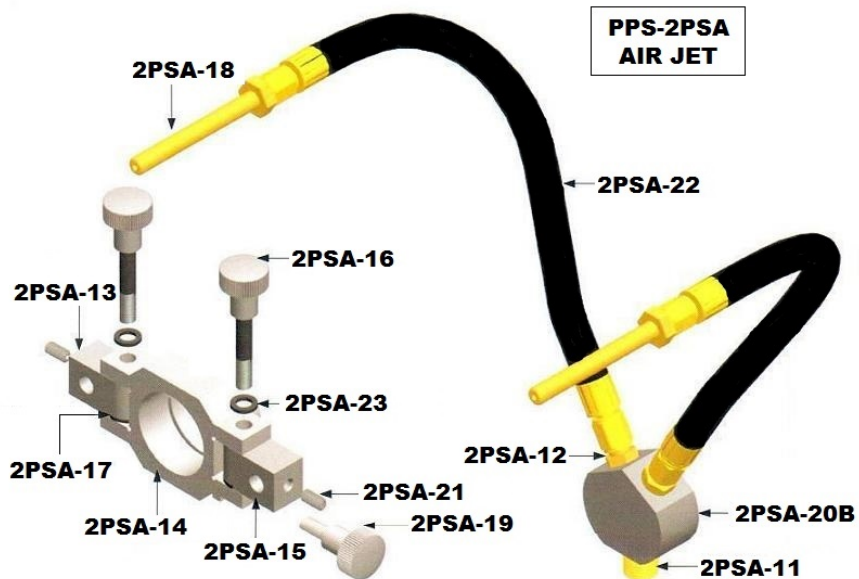


85-1	Set Aspirator Screw	85-510	High Spray Rate Siphon Plug (Complete)
85-3	Air Cap-Pinch/Cool	85-515	O-Ring: Aspirator PK/3
85-7B-x	Nozzle	85-516	O-Ring: Siphon Plug PK/3
85-84	Baffle Retaining Ring	85-518	Baffle
85-217	O-Ring: Nozzle (small) PK/2	85-519	Sleeve
85-218	O-Ring: Nozzle (large) PK/2	85-575	Nozzle Nut
85-501	Air Cap Body		



Plasma Powders & Systems, Inc. Powder Jet 85 (5PII Type) - Spare Parts List

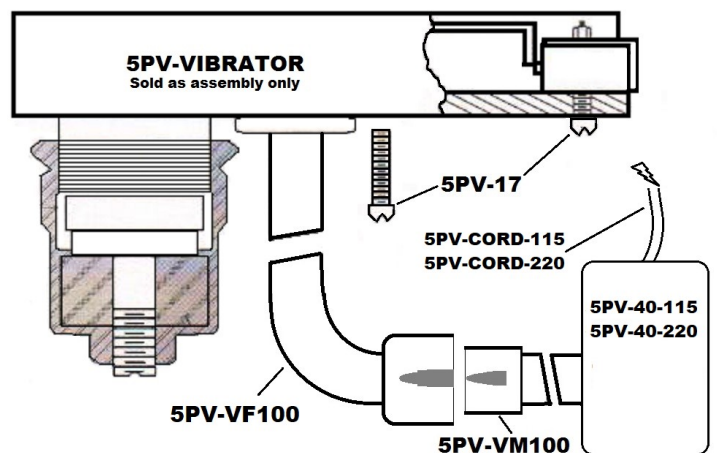
1.9 2PSA Cooling Jet Assembly Part List



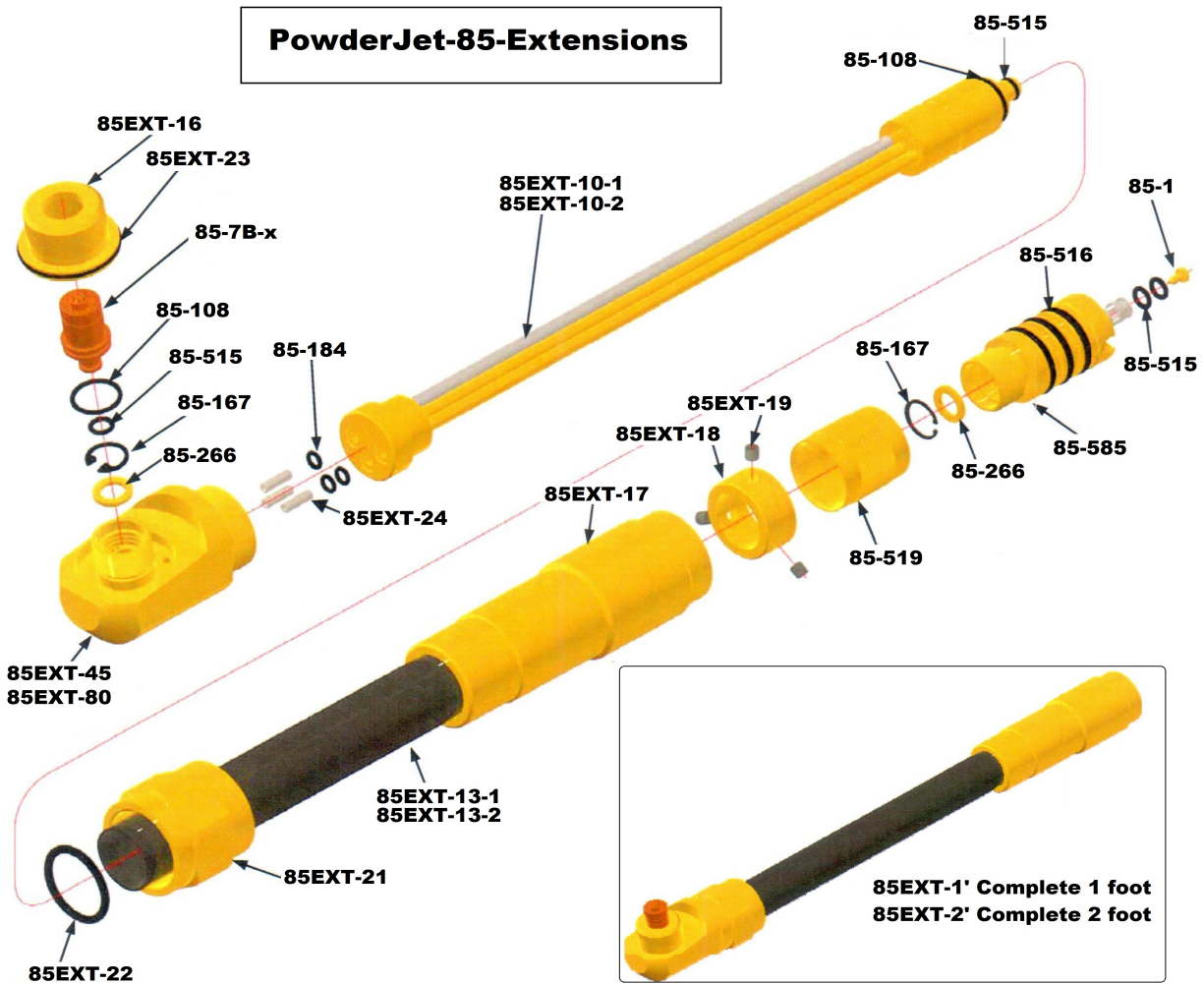
2PSA	Cooling Jet Assembly (Complete)	2PSA-19	Thumb Screw
2PSA-11	Hose Connector (In)	2PSA-20	Wye (W/2psa-11 & 12)
2PSA-12	Hose Connector (Out)	2PSA-20B	Wye only
2PSA-13	Pivot Block – Right	2PSA-21	Set Screw
2PSA-14	Air Jet Head	2PSA-22	Air Nozzle Hose
2PSA-15	Pivot Block – Left	2PSA-23	Clamp Screw Washer
2PSA-16	Pivot Block Clamp Screw	2PSA-24	Air Hose (15Ft) Not Shown
2PSA-17	Clamp Nut	2PSA-25	Allen Wrench (Not Shown)
2PSA-18	Air Nozzle		

1.10 Vibrator

5PV-17	Mounting screws (Pk/4)
5PV-VIBRATOR	Vibrator assembly w/ female cord and screws
5PV-40-115	Transformer (115v), w/male lead & power cord
5PV-40-220	Transformer (220v), w/male lead & power cord
5PV-VM100	Male connection cord
5PV-VF100	Female connection cord
PF-60	Power Cord (Note voltage)
5PV-VIBRATOR-ASSY-115	Complete setup 115v
5PV-VIBRATOR-ASSY-220	Complete setup 220v



1.11 Extensions



Extension Specific Parts (85EXT-)			
85EXT-1 or 2	Complete 1- or 2-Foot Unit	85EXT-21	Air Tube Connecting Nut
85EXT-10-1 or 2	Gas Tube 1- or 2-Foot	85EXT-22	O-Ring: Air Tube (1/PK)
85EXT-13-1	Gas Tube 1- or 2-Foot	85EXT-23	O-Ring: Nozzle Nut
85EXT-16	Nozzle Nut	85EXT-24	Gas Connecting Sleeve (1/PK)
85EXT-17	Air Cap Body	85EXT-80	80° Gas Head
85EXT-18	Locking Ring	85EXT-45	45° Gas Head
85EXT-19	Set Screws (5/PK)		
Standard PowderJet 85 Parts Used in the Extension (85-)			
85-1	Aspirator Jet Screw	85-266	Steel Baffle
85-7B-x	Nozzle	85-515	O-Ring: Nozzle Sm. & Siphon
85-108	O-Ring: Nozzle Large	85-516	O-Ring: Siphon Plug (3/PK)
85-167	Retaining Ring	85-519	Sleeve
85-184	O-Ring: Sleeve (3/PK)	85-585	Siphon Plug



Plasma Powders & Systems, Inc.
Powder Jet 85 (5PII Type) - Spare Parts List

1.12 Tools/Lubricants



114 Wire Cleaning Kit



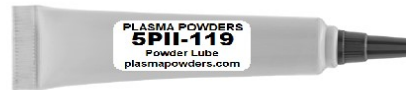
101 Spark Lighter



225 Tool Post



111 Valve Lube



119 Powder Lube

12E-111	Valve Lube PK/3	85-119	Powder Lube
12E-114	Wire cleaner kit	85-225	Tool Post Fixture
85-101	Striker (spark)		



Plasma Powders & Systems, Inc.
Powder Jet 85 (5PII Type) - Spare Parts List

This publication could include technical inaccuracies or typographical errors. Changes may be made to the information herein. These changes will be incorporated in later editions of the manual. Persons and organizations that may already possess the equipment and or a copy of this manual are responsible to request periodic updates of this document in writing from Plasma Powders & Systems, Inc. at the address indicated below.

Plasma Powders & Systems Inc.
38 Adamson Street
Easton, PA 18042
732-431-0992
Email – info@plasmapowders.com
Web – www.plasmapowders.com